



Helping hands for your Forklift truck

## Fork Positioners

T156 · T163



APPLICATION RECOMMENDATION - LIGHT DUTY

Along with Sideshifters, Fork Positioners are amongst the most commonly used attachments on forklift trucks. Fork Positioners are a valuable work aid wherever loads of varying widths need to be handled, requiring the fork spacing to be adjusted accordingly. Use of KAUP high-visibility Fork Positioners enables the truck operator to control fork spacing conveniently from the driver seat. This increases the operating efficiency of the forklift and greatly reduces accidents.

- Enlarging the supporting width improves the stability of wide loads while diminishing the risk of the load slipping off the forks.
- Adjusting the supporting width to the width of the load prevents over loading any part of the mast.
- The high-visibility design ensures the driver exact and precise working with the Fork Positioner which guarantees high job performance with a low risk of accidents.

## Application recommendation for KAUP Fork Positioners

### T156 / T163SN

Light duty



Fork carriage guided fork adjustment for pick-up of pallets with different widths · Principally level working conditions · Ideal for working in production halls i.e. relatively clean environment · Opening range restricted to the width of the attachment

### T160(Z) / T466(Z)\*

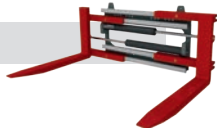
Medium duty



Frequent fork adjustment · Operating with long forks · Different kinds of goods and ways of handling (e.g. forwarders) · Outdoor operation · Opening range can be slightly larger than the width of the attachment

### T411Z\*

Heavy duty



Heavy duty version · Load picked up between the forks · Use of long forks and load pick up at fork tips · Frequent load pick up with max. opening range and pick up to top limit of capacity · Uneven floors · Quick working cycles · Opening range much larger than the width of the attachment

\* further information can be found in the brochures showing the range T160 / T466 and/or T411Z

## KAUP Fork Positioners range T156 and T163



### T156

- **QUICKSEAL** cylinder design for quick exchange of seal kits without tools
- Greasable, highly wear resistant **EASYSLIDE** sliding pads with excellent sliding characteristics
- Hydraulic synchronisation of fork adjustment
- Drillings in carriers for accommodating different fork widths

### T163SN

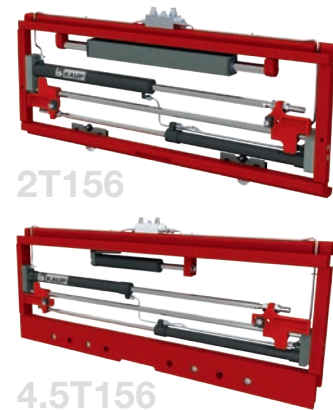
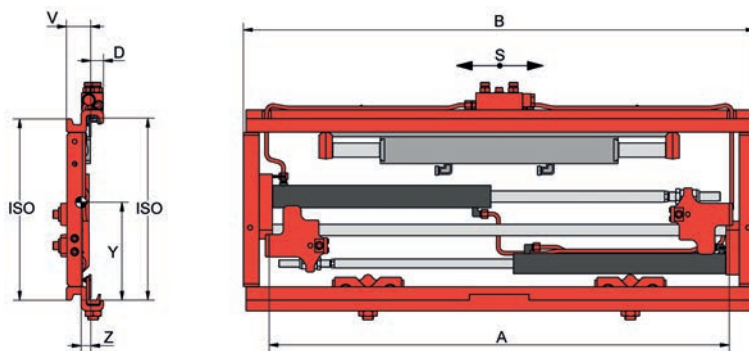
End-of-stroke slow-down **SOFTSTOP** and bottom brackets with roller guidance **SMOOTHROLL**

Forks of varying widths can be locked by asymmetrically drilled stop blocks

The roller chain ensures fork adjustment in exact synchronization

Construction width and adjusting range independent on the width of the basic fork carriage - construction widths of more that 3.000 mm possible





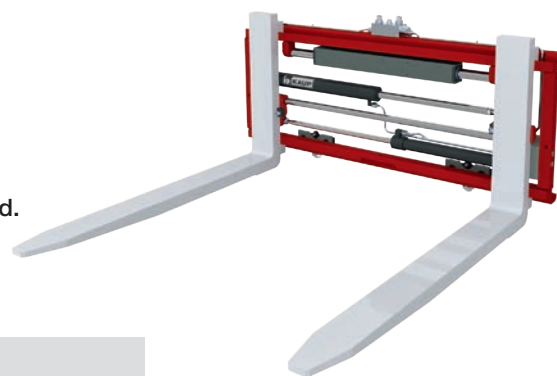
## Sideshifter with fork adjustment T156

with **independent sideshift** · without forks · for forks acc. to ISO 2330 · 2 hydraulic functions

Model	Capacity kg	LCD mm	S mm	Opening range			fork width mm	ISO cl.	V mm	CofG Z mm	CofG <sub>v</sub> Y mm	Weight kg			
				A mm	B mm	D mm									
2 T 156	2.500	500	± 80	290-795	890	28	70-125	2	55	22	225	70			
				320-825	920	28									
			± 100	290-925	1.020	28							22	222	75
				310-945	1.040	28							22	222	77
				295-1.055	1.150	28							22	220	80
4,5 T 156	5.000	500	± 100	355-1.055	1.150	40	100-150	3	82	39	265	136			
				355-1.255	1.350	40							40	265	152

Not suitable for clamping between the forks.  
 Forks suitable for above attachments available upon request.  
 Load Backrest Model T173.  
 T156 without sideshift available upon request.

The original forks of the forklift truck, up to length of 1.600 mm, can be used.



## Load Backrest T173

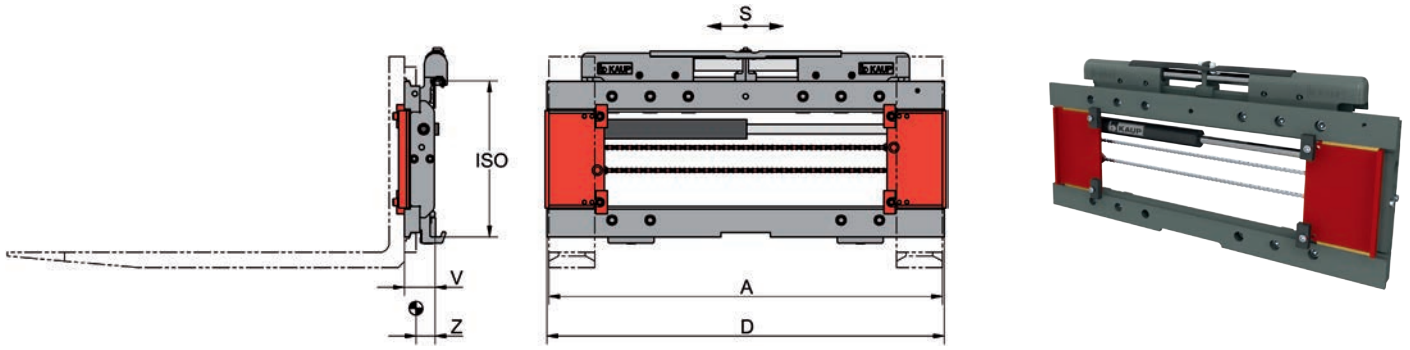
for KAUP fork positioners T156 and T163N/SN



Model	Width mm	Height mm	ISO cl.	Weight kg
2 T 173	1.040	470	2	30
4 T 173	1.160	430	3	34
6 T 173	1.400	730	4	87

Maximum height H = 1.000 mm, otherwise upon request.





## Fork Positioner T163SN

with **independent sideshift** · without forks · for forks acc. to ISO 2330 · 2 hydraulic functions

Model	Capacity kg	LCD mm	S mm	Opening range A mm	D mm	fork width mm	ISO cl.	V mm	CofG Z mm	Weight kg
2 T 163 SN	2.500	600	± 100	350- 820	830	70-120	2	82	41	90
				350- 820	830	125-140		82	41	91
				310-1.030	1.040	70-120		82	43	102
				350-1.030	1.040	125-140		82	43	103
				430-1.150	1.160	70-120		82	44	108
				390-1.350	1.360	70-120		82	51	133
				390-1.490	1.500	70-120		92	52	142
				390-1.690	1.710	70-120		92	51	170
4 T 163 SN	4.000	500	± 100	390-1.030	1.040	90-160	3	82	41	158
				430-1.150	1.160	90-160		82	42	167
				390-1.350	1.360	90-160		82	43	182
				390-1.490	1.510	90-160		92	51	219
				390-1.690	1.710	90-160		92	52	237
4,5T 163 SN	5.000	500	± 100	430-1.150	1.160	90-160	3	92	48	187
				390-1.350	1.360	90-160		92	50	205
				390-1.790	1.810	90-160		112	64	318
				450-1.900	1.910	90-160		112	64	330
4,8 T 163 SN	5.000	600	± 100	430-1.150	1.160	90-160	3	92	45	195
				390-1.350	1.360	90-160		92	50	216
5 T 163 SN	5.000	600	± 100	470-1.190	1.200	150-200	4	102	57	256
6 T 163 SN	8.000	600	± 160	470-1.390	1.400	150-200	4	102	46	345
				470-1.470	1.510	150-200		102	50	353
				500-1.680	1.690	150-200		102	50	385
				470-1.870	1.880	150-200		112	58	451
				530-1.980	1.990	150-200		112	58	463
8 T 163 SN	8.000	600	± 160	500-2.120	2.130	150-200	4	132	68	588
				530-2.380	2.400	150-200		132	70	642

Not suitable for clamping between the forks. Forks suitable for above attachments available upon request.

The original forks of the forklift truck, up to length of 1.600 mm, can be used.

If using longer forks the minimum bracket width to be selected is 250 mm (recommended width).

Load Backrest Model T173.

Model T163N - without sideshift

KAUP attachments correspond to the requirements of the valid EC regulations regarding quality, safety and technical documentation. All technical data are subject to alteration.

KAUP is certified acc. to DIN EN ISO 9001



Helping hands for your Forklift truck

**KAUP GmbH & Co. KG**

Braunstrasse 17 · D - 63741 Aschaffenburg

☎ +49 6021 865-0 · 📠 +49 6021 865-213

E-Mail: kaup@kaup.de · www.kaup.de